

| STOCK# | NAME | PCS/BOX |
|--------|-------------------|---------|
| #9290 | Sound Gasket™ 10' | 20 |

Description: SOUND GASKET™ is a vinyl accessory that provides smoke and sound ratings for both dynamic and static joints. The unique vinyl profile provides a seal along the inside leg to prevent sound flanking along the leg of the slotted and framing screws while the outer bubble gasket will compress to seal against uneven concrete.

Advantages: Made from rust proof, dent resistant PVC to reduce job-site and handling damage. installs fully cured and has no installation temperature or humidity restrictions.

Limitations: Product is designed for interior use.

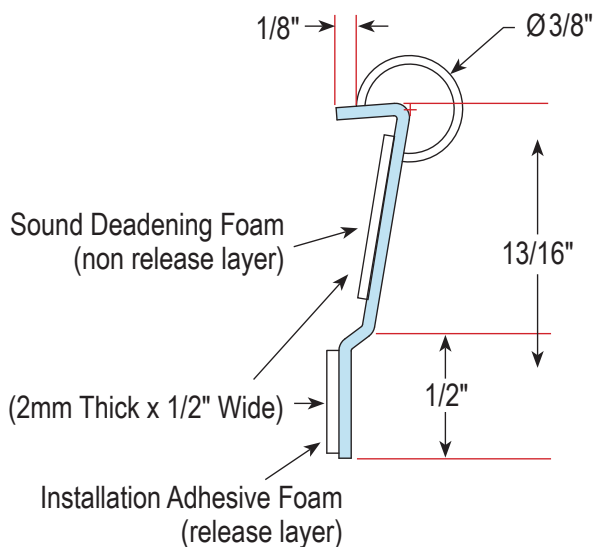
Surface Characteristics: Trim-Tex® products are made from PVC.

Installation: Ensure wall sections are built to UL 2079 specifications. Detailed installation instructions can be found at www.Trim-Tex.com.

Accessories: Safety Products distributed by Trim-Tex.

ASTM & Code Standards:

- Provides premium STC ratings.
- STC 51 on 3-5/8" 20 EQ studs unbalanced walls.
- STC 55 on 3-5/8" 20 EQ studs balanced walls.
- Sound Tested in accordance with ASTM E90-09
- Air leakage tests conducted for compliance with Section 713.6 of IBC and CBC.
- U.S. Patent No. 10,246,871W-D-0652; HW-D-0518; HW-D-0553; HW-D-0573.



Job Name _____
 Contractor _____
 Date _____

Approvals (Signatures or Stamps)