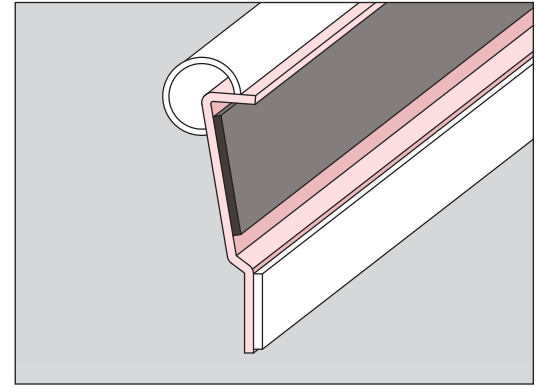


Submittal Sheet



STOCK#	NAME	PCS/BOX
#9265	Fire Gasket 0.5 10'	20
#9270	Fire Gasket 1 10'	20
#9275	Fire Gasket 1.5 10'	20

Description: Fire Gasket is a fire rated composite vinyl intumescent accessory that provides fire ratings for both dynamic and static joints with both concrete and fluted deck assemblies according to UL-2079 5th Edition. It is designed to be installed against perimeter framing members: top and bottom tracks and perimeter studs.

Advantages: Made from rust proof, dent resistant PVC to reduce job-site and handling damage. Does not contain cellulose, a potential food source for mold. Intumescent tape expands when exposed to flame for increased fire protection.

Limitations: Product is designed for interior use.

Surface Characteristics: Trim-Tex® products are made from PVC. PVC does not support combustion and is self-extinguishing when the source of flame or heat is removed.

Installation: Trim-Tex® recommends following established acceptable industry standard installation methods. Detailed installation instructions can be found at www.trim-tex.com.

Accessories: Safety Products distributed by Trim-Tex®.

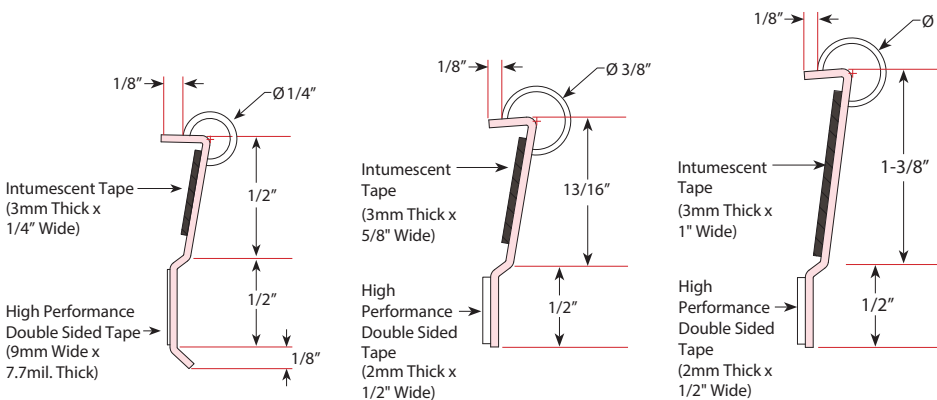
ASTM & Code Standards:

- ASTM E 1966: Standard Test Method of Fire Tests of Firestop Systems – UL 2079 5th Edition Tests for Fire Resistance of Building Joints.
- ASTM E-119 Standard Test Methods for Fire Tests of Building Construction and Material.
- Sound Tested in accordance with ASTM E90-09.
- Air leakage tests conducted for compliance with Section 713.6 of IBC and CBC.
- Intumescent Firestopping tested per ASTM E 84 UL723, Flame Spread 5, Smoke Index 5.
- UL listings/approvals – HW-D-0515; HW-D-0514; HW-D-0524; HW-D-0551; HW-D-0550; HW-D-0554; HW-D-0600; HW-D-0620; HW-D-0652; HW-D-0518; HW-D-0553; HW-D-0573.

Job Name _____

Contractor _____

Date _____



Fire Gasket 0.5

Fire Gasket 1

Fire Gasket 1.5

Approvals (Signatures or Stamps)