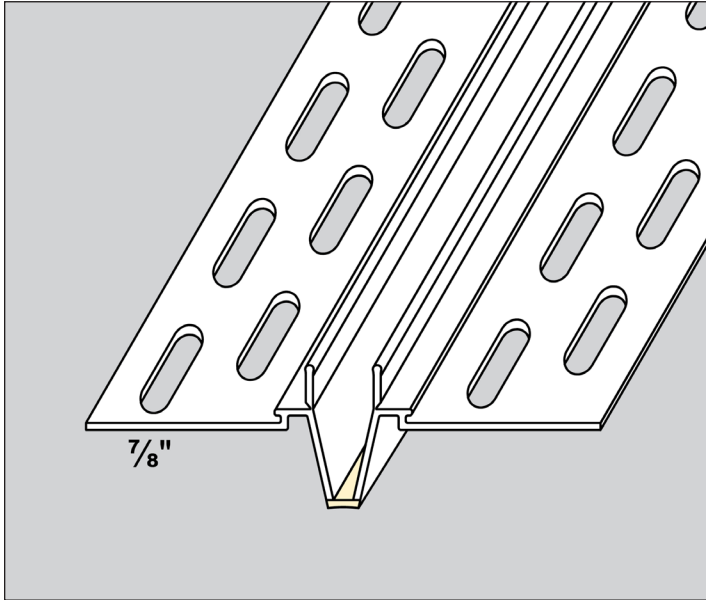


TRIM-TEX DRYWALL PRODUCTS

SUBMITTAL SHEET

093V Expansion



STOCK #	NAME	PCS/BOX
093V	093V 10'	20
093VC	C INTERSECTIONS	10
093VT	T INTERSECTIONS	10

Description: Trim-Tex 093V Expansion is designed to allow for a full $\frac{3}{8}$ " in controlled wall movement.

Advantages: Made from rust proof, dent resistant PVC to reduce jobsite and handling damage. Does not contain cellulose, a potential food source for mold

Fire Rated Assemblies: For fire rated assemblies, use the Gypsum Association Fire Resistance Design Manual GA-600-2012. For a 1 hour fire wall use SRS1101. For a 2 hour wall use SRS1201. Other applicable assemblies are SRS1401, SRS2101, SRS2201, and SRS5101-SRS5104.

Limitations: Product is designed for interior use.

Applicable Standards: Rigid PVC products made by Trim-Tex achieve a Class A rating for flame spread and smoke developed when tested under ASTM E84. Flame spread: 15, smoke developed: 40.

Surface Characteristics: Trim-Tex products are made from PVC. PVC does not support combustion and is self extinguishing when the source of flame or heat is removed.

Installation: Trim-Tex recommends following established acceptable industry standard installation methods. Detailed installation instructions can be found at www.trim-tex.com.

Finishing: Always use a high quality paint.

Accessories: 847 Spray Adhesive and Safety Products distributed by Trim-Tex.

Job Name _____

Contractor _____

Date _____

Approvals (Signatures or Stamps)